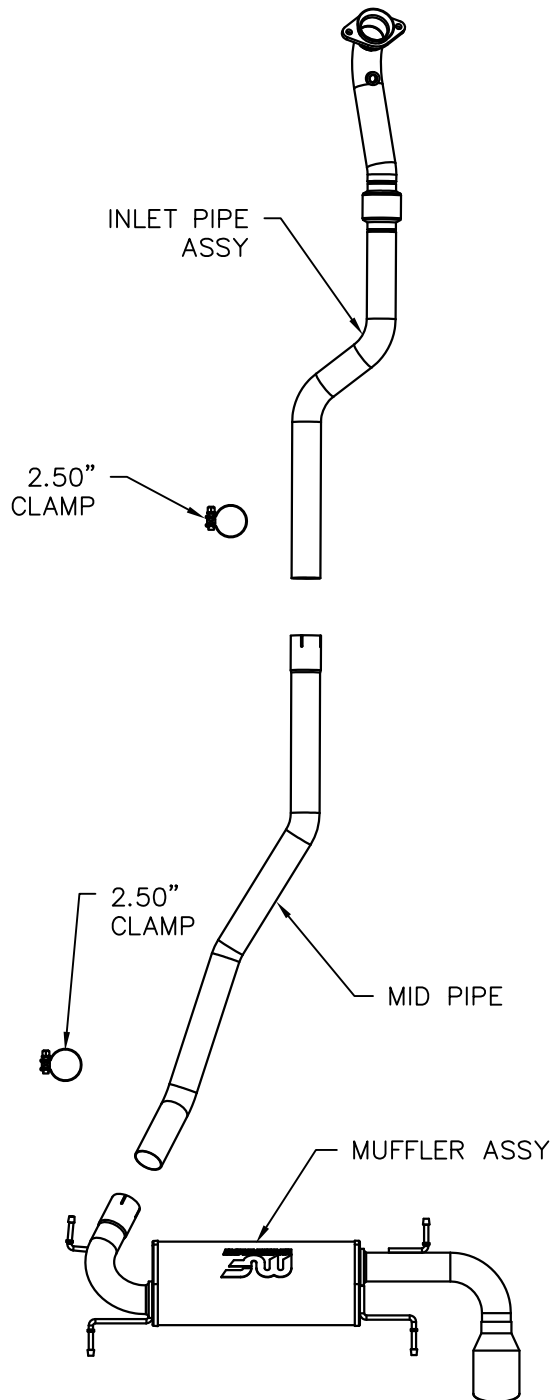


### 2005- PONTIAC SOLSTICE 2.4L / I-4



**Warning:** When working on, under, or around any vehicle exercise caution. Please allow the vehicle's exhaust system to cool before removal, as exhaust system temperatures may cause severe burns. If working without a lift, always consult vehicle manual for correct lifting specifications. Always wear safety glasses and ensure a safe work area. Serious injury or death could occur if safety measures are not followed.

**Step 1:** (Carefully read all instructions before installation) Disconnect the vehicle's battery before removal of the OEM exhaust. This will allow the computer to reset itself with the new system, and prevent electrical accidents. Disconnect the OEM exhaust system at the 2-bolt flange location, then disengage the welded hangers from the OEM rubber insulators to remove the system from the vehicle. Do not discard the fasteners and gasket or damage the rubber insulators, as they will be reused to mount the new exhaust system.

**Step 2:** Install the new Inlet Pipe Assy by bolting the inlet flange at the 2-bolt flange location using the OEM fasteners and gasket. Leave all fasteners and clamps loose for the final adjustment of the complete exhaust system. Install the Mid Pipe by using a 2.5" clamp. Install the Muffler Assy by using a 2.5" clamp and inserting the welded hangers into the OEM rubber insulators.

**Step 3:** With all components mounted loosely, adjust the system for overall aesthetics and clearance of frame & bodywork. (MAGNAFLOW recommends at least 1/2" of clearance between the exhaust system and any body panels to prevent heat-related body damage or fire.)

**Step 4:** Once a final position has been chosen for the new system, evenly tighten all fasteners from front to rear. The supplied band clamps must be VERY tight to properly align the pipes and prevent leaks (Approximately 40ft-lbs). U-bolt clamps should be tightened to approximately 30-35ft-lbs. Inspect all fasteners after 25-50 miles of operation and retighten if necessary.

\*MAGNAFLOW Performance Exhaust recommends professional installation on all their products

Technical support: 1-800-959-9226 ext. 4500

MAGNAFLOW Performance Exhaust - 22961 Arroyo Vista - Rancho Santa Margarita, CA 92688